



# BALEWULF LINE OF BALERS

A Sebright Products and JWR, Inc. Partnership

**5 YEAR/  
10,000 HR  
CHASSIS  
WARRANTY**  
**2 YEAR/  
4,000 HR  
PARTS & LABOR**

**GUARANTEED  
TRADE IN  
PROGRAM**

**4560 & 7060  
CLOSED DOOR  
MODELS**



## STANDARD FEATURES

- THROUGH THE DOOR WIRE FEED SYSTEM
- BACK-LIT SEE THROUGH ACCESS PANELS
- INTERLOCKED-CHASSIS DESIGN
- TOP QUALITY - BRAND NAME  
HYDRAULICS & ELECTRICAL COMPONENTS

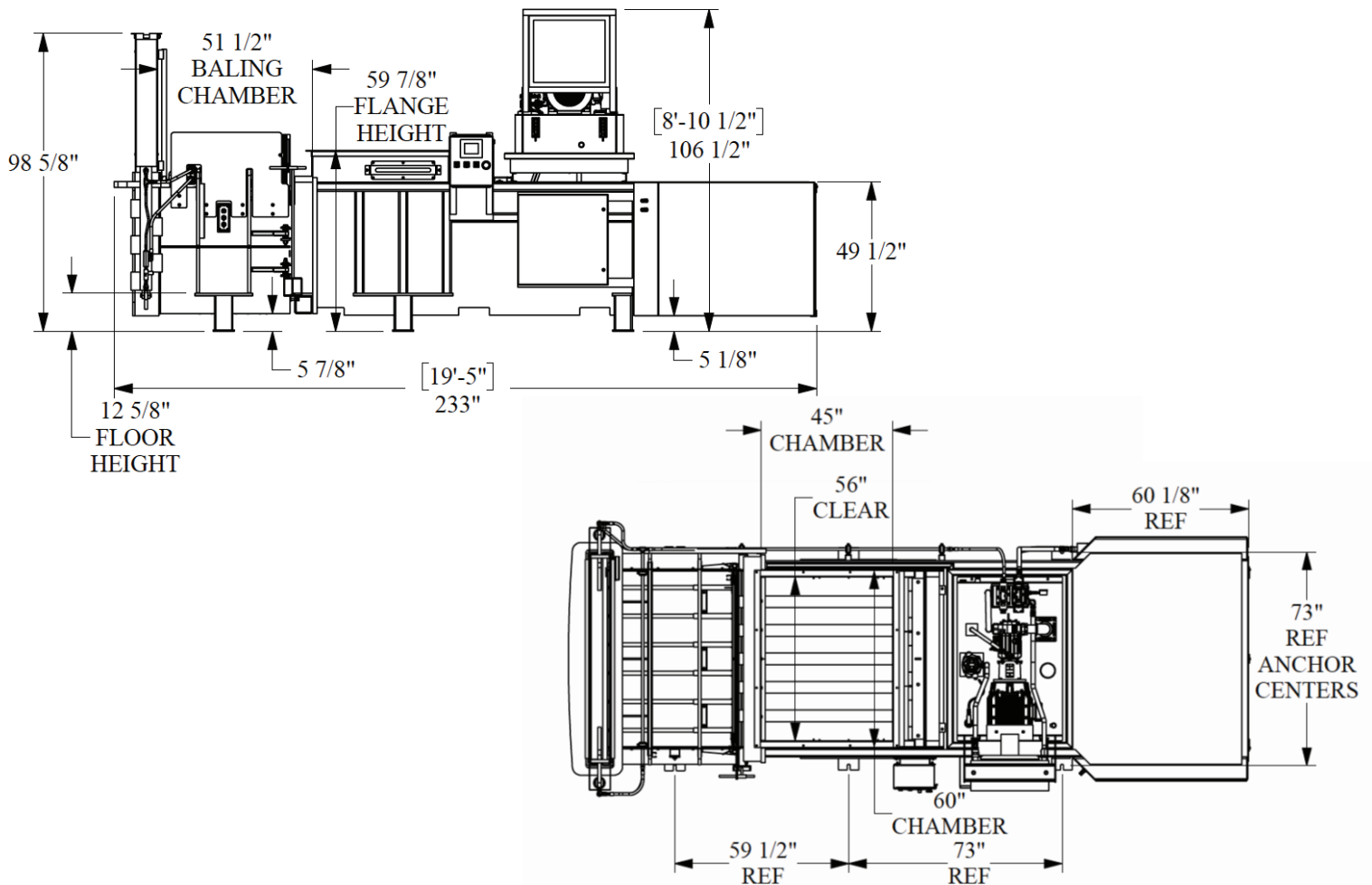
## SAFETY FEATURES

- VERTICAL INTERLOCKING EJECTION DOOR
- ANSI COMPLIANT
- HIGH VISIBILITY BALE EJECT SYSTEM
- EASY ACCESS REMOTE GREASING STATION
- INTEGRATED PIERCER

**SAFETY - VERSATILITY - QUALITY**

[WWW.BALEWULF.COM](http://WWW.BALEWULF.COM)

|                               | BALEWULF 4560 HB | BALEWULF 7060 HB |
|-------------------------------|------------------|------------------|
| <b>Bale Size</b>              | 30" X 60" X 48"  | 30" X 60" X 48"  |
| <b>Baler Length</b>           | 232"             | 291"             |
| <b>Baler Width</b>            | 94"              | 94"              |
| <b>Baler Height</b>           | 106"             | 106"             |
| <b>Baler Shipping Weight</b>  | 25,000 lbs       | 28,400 lbs       |
| <b>Feed Opening</b>           | 45" X 56"        | 56" X 70"        |
| <b>Cylinder Size</b>          | (2) 7"           | (2) 7"           |
| <b>Vertical Door Cylinder</b> | (2) 3.5"         | (2) 3.5"         |
| <b>Shear Blade</b>            | Progressive      | Progressive      |
| <b>Platen Force</b>           | 183,900 lbs      | 183,900 lbs      |
| <b>Platen PSI</b>             | 110.6            | 110.6            |
| <b>Operating Pressure</b>     | 2,500 PSI        | 2,500 PSI        |
| <b>Oil Reservoir</b>          | 140 G            | 200 G            |



\*While Sebright Products, Inc., strives to make the information provided on processing of your waste or recycling stream, as timely and accurate as possible, the company makes no claims, promises or guarantees about the accuracy, completeness, or adequacy of any of the provided information, and expressly disclaims liability of errors and omissions in the content of the information, or analysis provided to your company. It is solely the responsibility of each recipient of the information Sebright Products, Inc., has provided to satisfy itself as to the accuracy of the information provided by Sebright Products, Inc., and as to the efficacy of the product(s) for the use(s) intended.

\*Due to product improvements, the manufacturer reserves the right to alter or amend, without notice, any of these specifications and/or dimensions.

127 N. Water St.  
Hopkins, MI 49328  
800.253.0532

322 N. Watertown St.  
Johnson Creek, WI 53038  
888.699.2848

